

Sears

**owners manual
TOTE BOX FOR SEARS**

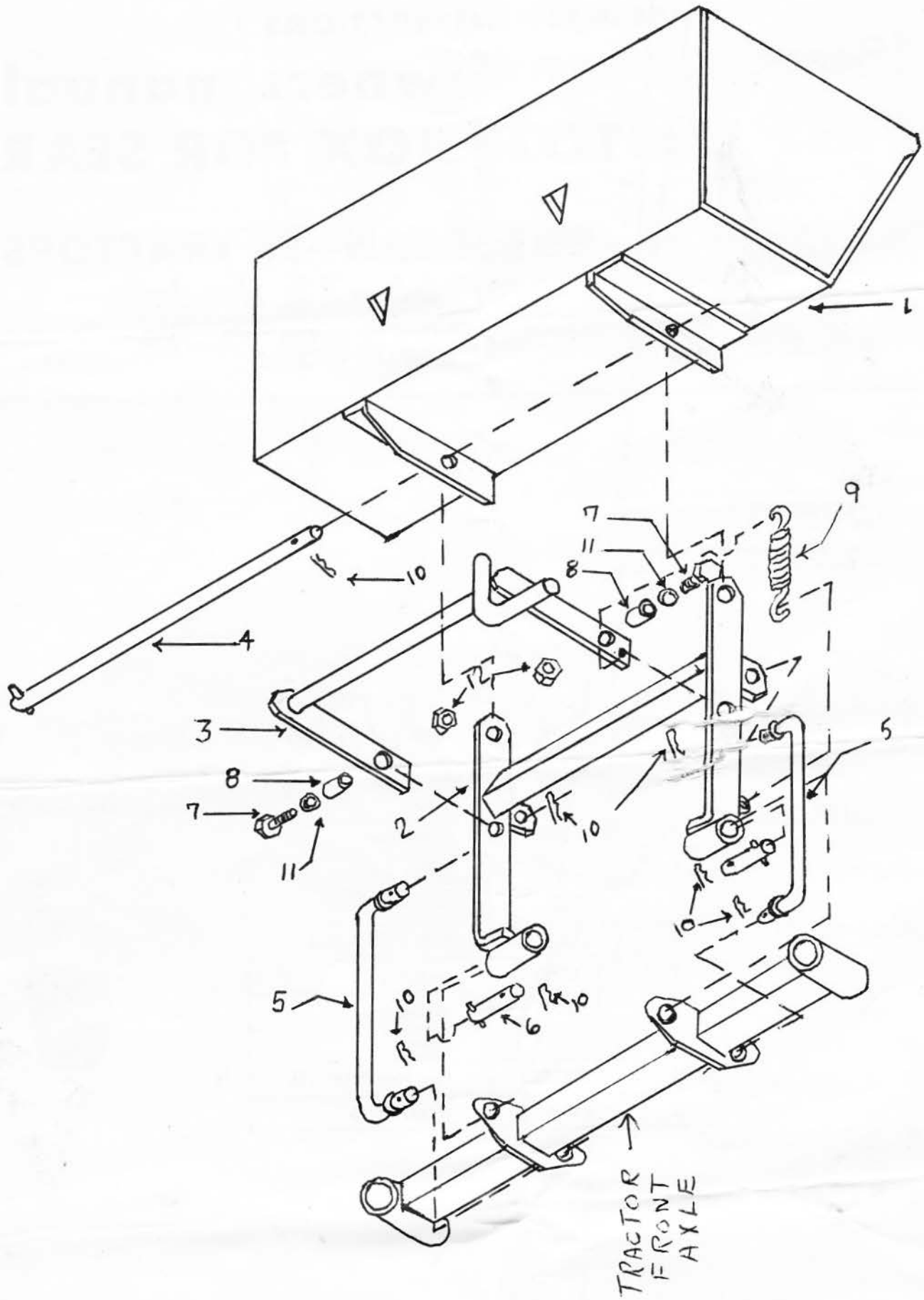
**SUBURBAN—SS TRACTORS
1966—72 Models
1973—ST12—16**

**MODEL NO.
662.264220**

**CAUTION
Read Instructions
Carefully**

- **ASSEMBLY**
- **OPERATING**
- **REPAIR PARTS**





ASSEMBLY INSTRUCTIONS

To assemble tote box, install bracket #2 to upper hole of tractor axle brackets using pins #6 and #10. Install brace arms #5 to bracket #2 and lower hold of tractor axle bracket. Lock into place with pin #10. Attach trip mechanism #3 to bracket #2 using bushings #8 and bolts, washers and nuts #7, #11 and #12. Connect spring #9 to trip mechanism and bracket #2. Install bucket #1 to bracket #2 using Rod #4 and pin # 10.

OPERATING INSTRUCTIONS

Your tote box is a handy and useful piece of equipment. It can easily handle a full load of dirt, gravel, sod, etc. Can be left on tractor with mower.

To prevent bending bucket out of shape, use caution when loading with heavy rocks, tree limbs, odd shaped material, etc.

Do not trip bucket when in forward motion. Do not make hi-speed turns when bucket is loaded.

Can be filled with sand, etc. and used for extra front end weight when using heavy rear mounted attachments.

PARTS LIST

KEY NO.	PART NO.	DESCRIPTION
1	14220	Tote Box
2	24220	Bracket
3	34220	Trip
4	12160	Pivot Rod
5	54220	Brace Arms
6	58250	Pin
7	122017	Bolt 5/16"-18x1
8	12255	Bushing
9	94220	Spring
10	11	Hairpin
11	120376	Nut, Hex 5/16"-18
12	446363	Washer 5/16"

Sears

owners manual TOTE BOX FOR SEARS

SUBURBAN—SS TRACTORS 1966—72 Models 1973 ST12—16

MODEL NO.

662.264220

The Model Number will be found on a plate attached to the cross angle of bracket No. 2. Always mention the Model Number when requesting service or repair parts for your Suburban Tote Box.

HOW TO ORDER REPAIR PARTS

All parts listed herein may be ordered through SEARS ROEBUCK AND CO. or SIMPSONS—SEARS LIMITED. When ordering parts by mail, selling prices will be furnished on prevailing prices and you will be billed accordingly.

**SEARS SERVICE
IS AT YOUR SERVICE
WHEREVER YOU LIVE
OR MOVE IN
THE U.S.A.**

WHEN ORDERING REPAIR PARTS, ALWAYS GIVE THE FOLLOWING INFORMATION AS SHOWN IN THIS LIST

1. The PART NUMBER
2. The PART DESCRIPTION
3. The MODEL NUMBER 662.264220
4. The NAME OF ITEM - Suburban Tote Box