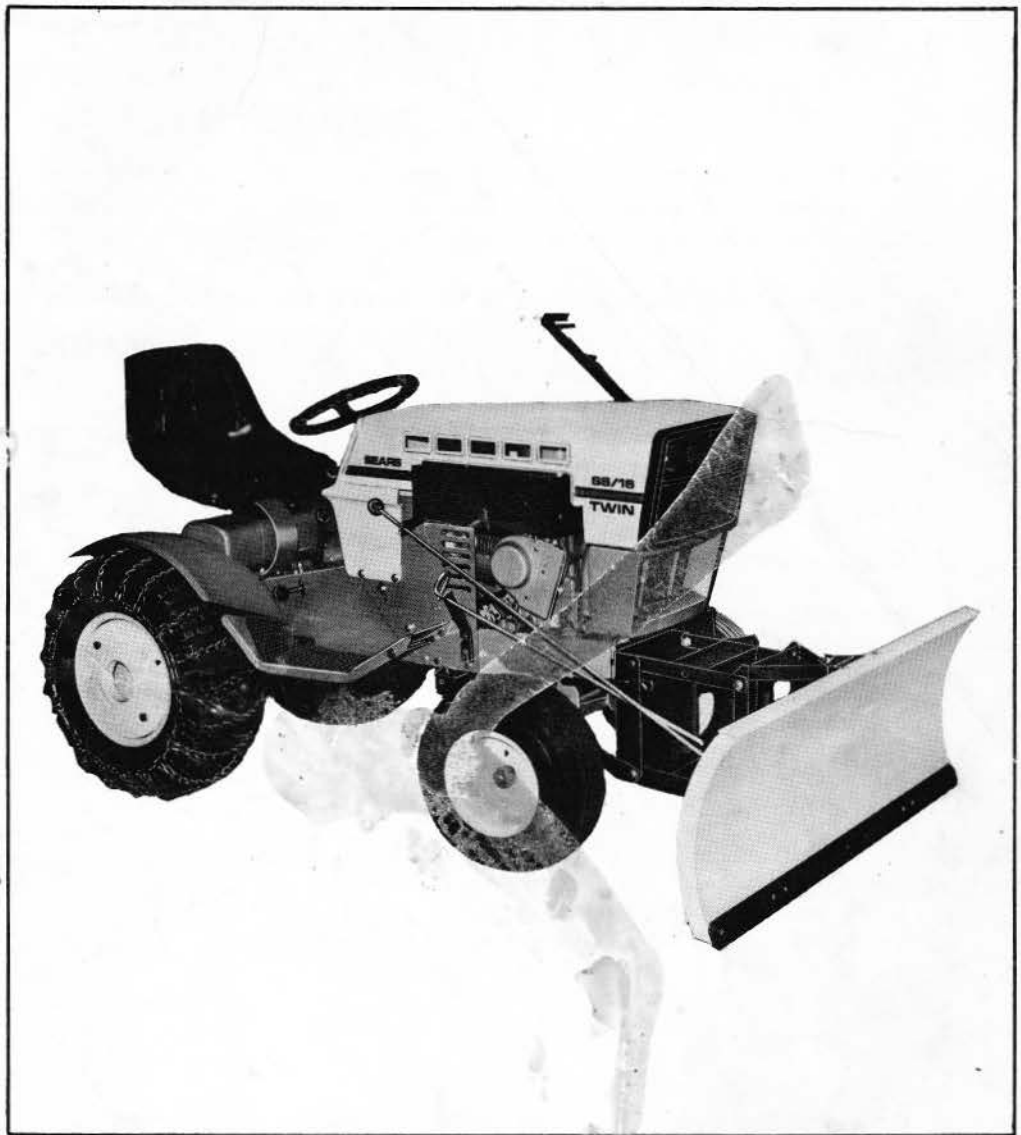


Sears
owners
manual

MODEL NO.
917.253360



**DOZER BLADE
FOR
SUBURBAN TRACTORS**

- Assembly
- Operating
- Maintenance
- Repair Parts

Sears, Roebuck and Co., Chicago, Ill. 60607 U.S.A.
and Simpsons Sears Limited, Toronto

GUARANTEE

During the first year, we will repair your attachment free of charge if found defective in material or workmanship. This guarantee service is available by simply contacting any of our stores or service centers throughout the United States or Canada

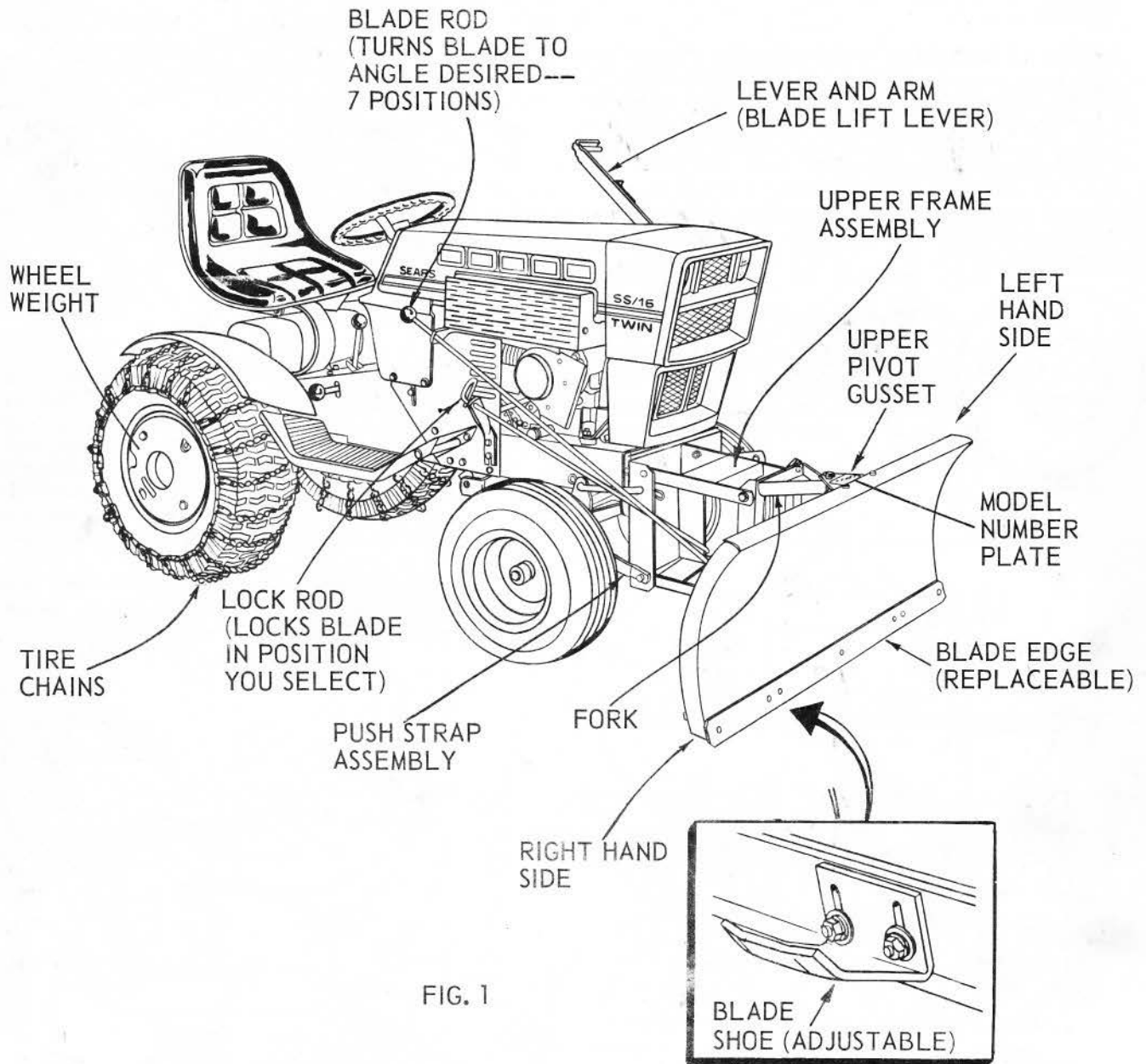
The guarantee is limited to 30 days if the item is used for commercial purposes.

IMPORTANT

RULES FOR SAFE OPERATION

1. Operator should become fully familiar with all the different sections of this Owners Manual and the Tractor Owners Manual before attempting to operate the Tractor and DOZER BLADE. Study the Rules for Safe Operation. Try your Tractor and DOZER BLADE in a large, flat, open space. Learn to start, stop and reverse. Do not start or operate Tractor when not in driver's seat.
2. Do not allow children to operate Tractor and DOZER BLADE. Do not allow adults to operate it without proper instructions.
3. Never allow your hands, any other part of your body, or your clothing near any moving parts while engine is running.
4. Do not carry passengers.
5. Take all possible precautions when leaving Tractor unattended: Lower the DOZER BLADE, shift into neutral, set parking brake, stop engine and remove key. Keep key in a safe place out of reach of children.
6. Do not stop or start suddenly when going up or downhill. Operate Tractor and DOZER BLADE up or down the face of slopes; never across the face. Never operate Tractor and DOZER BLADE on slopes with more than a 20 degree slope.
7. Keep foot brake and parking brake lock in good adjustment.
8. Do not operate the Tractor and DOZER BLADE in high gear nor make sharp turns while going downhill.
9. Do not shift gears while going up steep hills. Choose a low enough gear to climb hill without stopping and shifting gears.
10. Do not shift gears while Tractor is moving.
11. Upsets can happen easily especially along the edge of ditches. Be alert for holes in terrain and other hidden hazards.
12. Use care when pushing loads.
 - A. Limit loads to those you can safely control.
 - B. Do not turn sharply. Use care when backing.
 - C. Use wheel weights and tire chains.
 - D. Ease into material to be leveled or graded.
13. Tractor and DOZER BLADE are not to be operated on any public road, street, highway or alley. Observe traffic when crossing or near roadways.
14. Handle gasoline with care--it is highly flammable.
 - A. Use approved gasoline container.
 - B. Never remove cap or add gasoline to fuel tank while engine is running or hot, nor fill fuel tank indoors. Wipe up spilled gasoline before starting engine.
 - C. Never start or run the Tractor indoors as the exhaust from the engine contains carbon monoxide which is a tasteless, odorless, deadly poison.
15. Keep Tractor and DOZER BLADE in good operating condition, and keep safety devices in place. Use guards as instructed in the Tractors Owners Manual.
16. Keep all bolts and screws tight to be sure equipment is in safe working condition.
17. Never store equipment with gasoline in the tank in a building where fumes may reach an open flame or spark. For long periods of storage, the gasoline tank should be drained and the gasoline discarded in a safe place. Allow engine to cool before storing in any enclosure.
18. To reduce fire hazard keep engine free of grass, leaves or excessive grease and oil.
19. Tractor and DOZER BLADE should be stopped and inspected for damage after striking a foreign object and the damage should be repaired before restarting and operating the equipment.
20. Do not change engine governor settings or overspeed engine. Excessive speed is dangerous and shortens engine life.

REFERENCE DRAWING FOR ASSEMBLY AND INSTRUCTIONS



introduction

This Product has been designed, engineered and manufactured to give you the best possible dependability and performance.

Should you experience any problem you cannot easily remedy, please contact your nearest Sears, Roebuck or Simpsons-Sears, Ltd. Store. They have well qualified, competent trained technicians and the proper tools to service or repair this unit.

It is important that the operator ALWAYS OBSERVES THE "RULES FOR SAFE OPERATION" as well as other instructions contained in this and the Tractor and Engine Manual.

The principal use of this unit is to level or grade loose ground, gravel, sand, etc. It may also be used to remove snow from sidewalks, driveways, cemented feeds lots, etc.

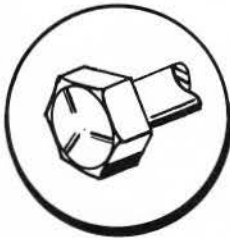
Wheel weights and tire chains (optional equipment), added to the rear wheels will greatly improve the performance of your DOZER BLADE.

assembly

Assembly as well as all of the different sections of this Owners Manual should be studied very closely before beginning to assemble your DOZER BLADE.

A letter in parenthesis in the following instructions refer to an arrow in an adjoining Figure (illustration), unless otherwise stated. When R.H. (Right Hand) or L.H. (Left Hand) is used, it means from a position behind the blade as if one were seated on the tractor seat and facing forward.

Remove DOZER BLADE from carton. Cut all wires, open bag of parts and layout all parts to facilitate assembly.



In the bag of parts there is one hex bolt $3/8 \times 1\frac{1}{4}$ which is a special heat treated bolt. It can be identified by three lines indicated on the bolt shown at the left. Save this bolt for assembly in step number 7, page 4.

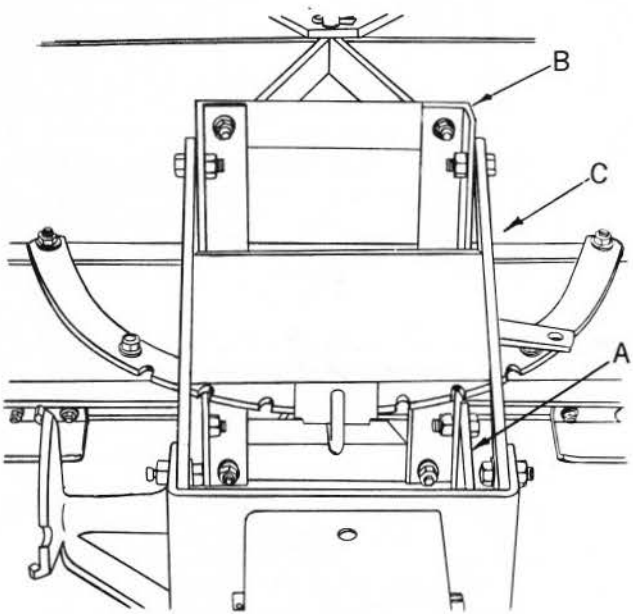


FIG. 2

1. Assemble lower frame (A), to front frame (B), with two $7/16 \times 1\frac{1}{4}$ hex bolts, flat washers, bushings and lock nuts provided.
NOTE: Bolts, flat washers and bushings will go through lower frame (A), then through front frame (B), with lock nuts to inside as shown in Fig. 2.
2. Assemble upper frame (C), to front frame (B), with two $7/16 \times 1\frac{1}{4}$ hex bolts, flat washers, bushings and lock nuts (provided), in same manner as lower frame. Tighten all nuts securely.

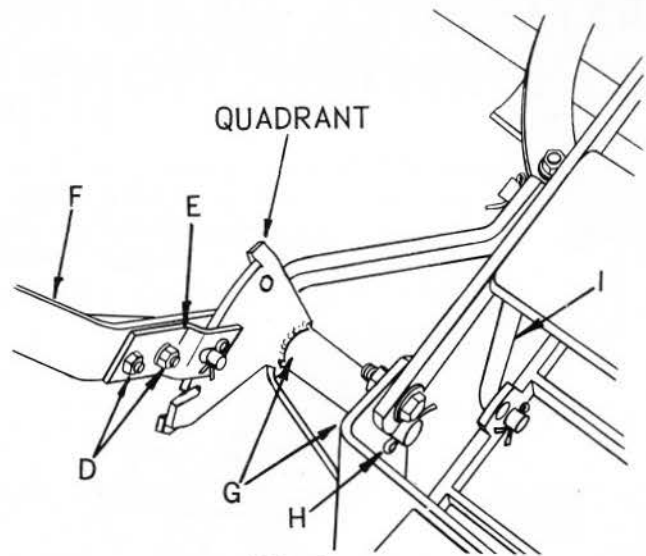


FIG. 3

3. Loosen two nuts (D), holding lower lever clip (E), to lever and arm (F). Slide shaft of lever and arm assembly (F) (lift lever) into socket of rear frame assembly (G). Rotate lever until lever clip (E), straddles quadrant of rear frame assembly (G). Retighten nuts (D), securely. Install $5/32 \times 1$ cotter pin (H), in shaft of lever and arm assembly and spread cotter pin. Cotter pin will be found in plastic bag.
4. Pivot lever and arm (F), (lift lever), until lift rod (I), can be assembled as shown. Secure with $5/32 \times 1$ cotter pin provided.

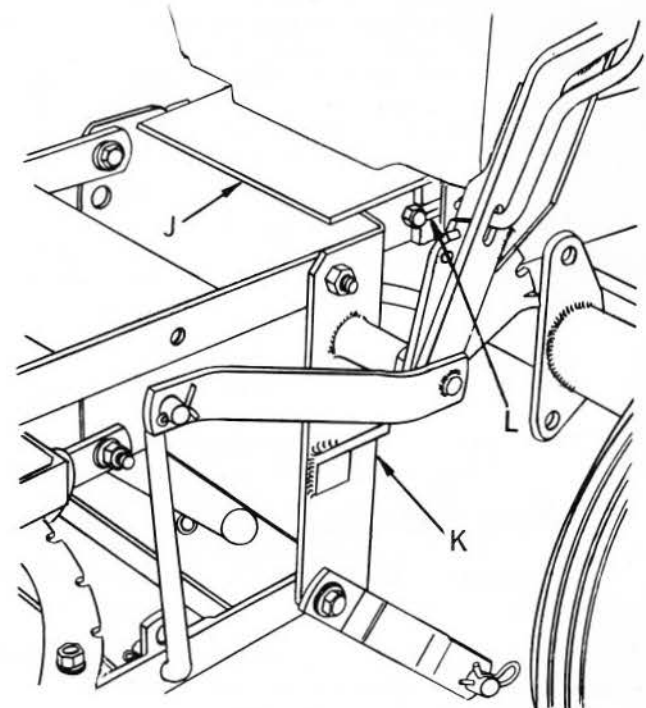


FIG. 4

5. Lift front channel cover (J), and slide rear frame assembly (K), into slots of tractor frame (L), as shown.

another free manual from www.searstractormanuals.com

assembly (cont.)

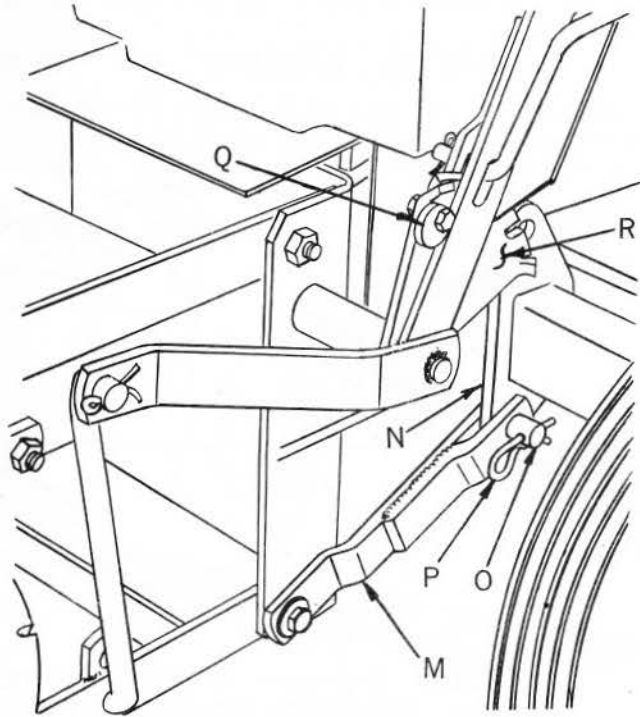


FIG. 5

6. Attach push straps (M), to front axle bracket (N), both sides), with drilled rivets (O), and retainer springs (P), provided.
7. Assemble lever stop (Q), to quadrant (R), of rear frame assembly with a $3/8 \times 1/4$ hex bolt. This bolt is heat treated, refer to circled inset above Fig. 2, page 3. Head of bolt to outside. Secure with a $3/8$ lockwasher and hex nut. Tighten nut securely. All parts provided.

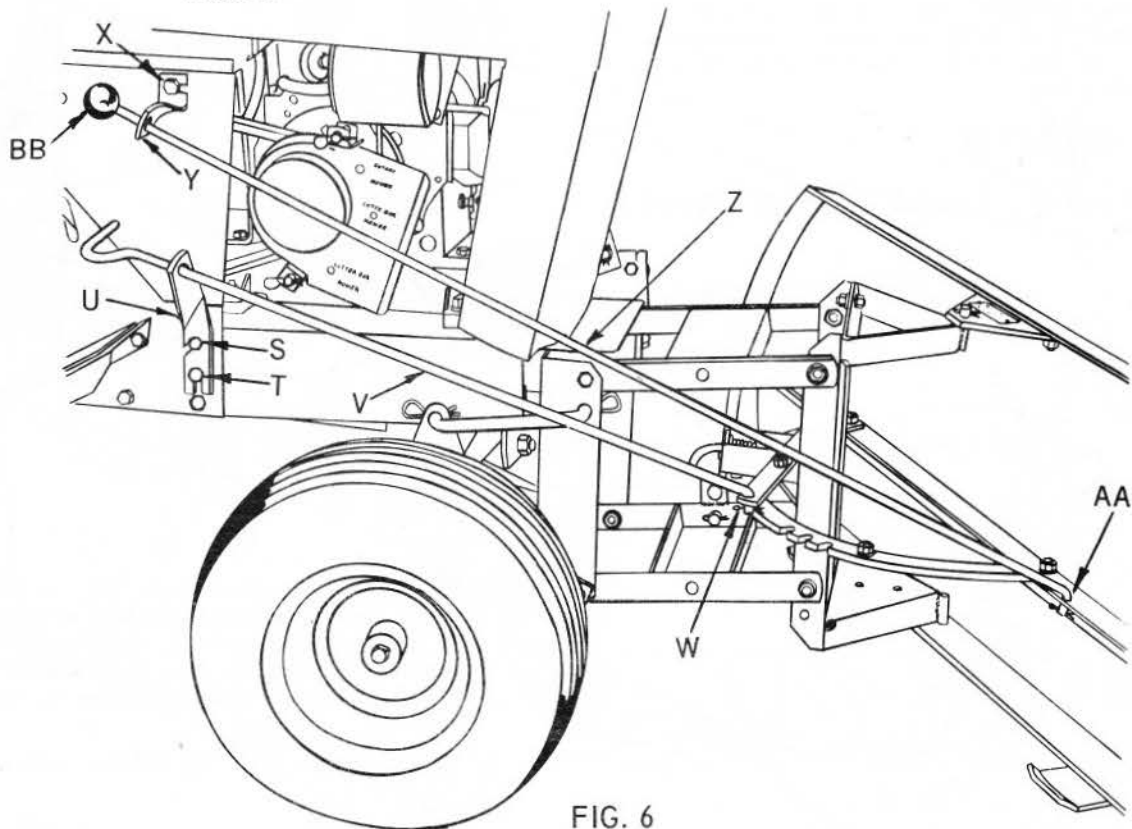


FIG. 6

8. The attaching holes in lock rod bracket (U), are both slotted. Therefore, only loosen bolts (S and T), enough to slide lock rod bracket into position shown. Tighten bolts securely.
9. Insert lock rod (V), (small bent end forward), through hole in lock rod bracket (U). Assembly front (small bent end), of lock rod (V), into hole of pivot arm weldment (W). Secure with cotter pin provided. Spread cotter pin.
10. The attaching hole in rod bracket (Y), is slotted. Do not remove bolt (X), but only loosen enough to slide rod bracket under flat washer and head of bolt. Position as shown and tighten bolt securely. Insert straight end of blade rod (Z), through hole in rod bracket (Y). Assemble opposite end of blade rod (Z), to hole in center rail (AA), of blade. Secure with cotter pin provided. Spread cotter pin.
11. Screw control knob (BB), on threaded end of blade rod (Z).

assembly (cont.)

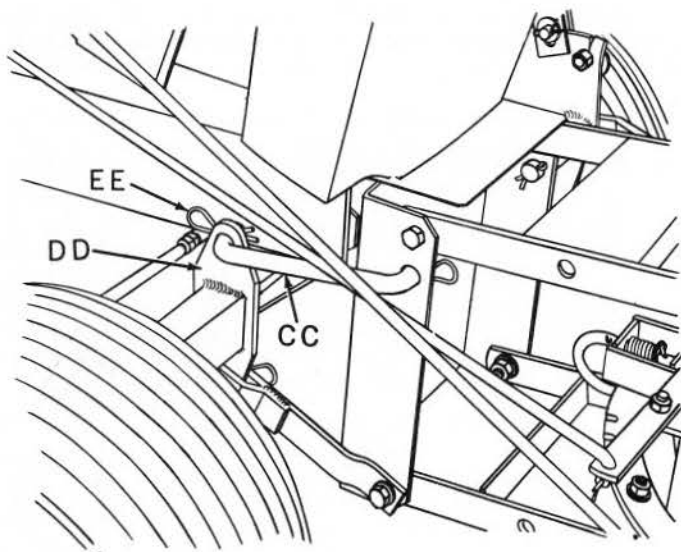


FIG. 7

12. Assemble push rod (CC), to upper hole in R.H. front axle plate (DD). Secure with retainer spring (EE). NOTE: It may be necessary to grasp DOZER BLADE and move it backward or forward so that push rod will enter hole in front axle plate.

operating push rod foot clearance

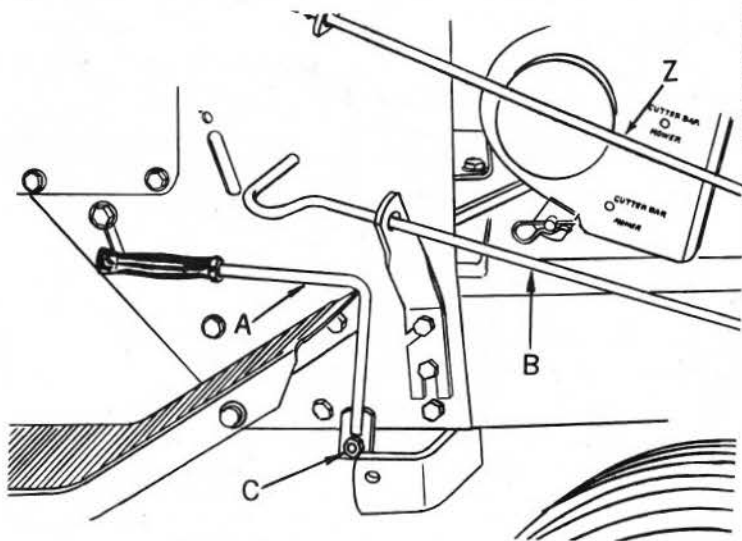


FIG. 8

If your tractor has the safety feature of a mower clutch lever weldment (A), the lever must be in the "OUT" position before tractor will start. However, it might interfere with the operation of the lock rod (B). We suggest the mower clutch lever handle (A), be removed.

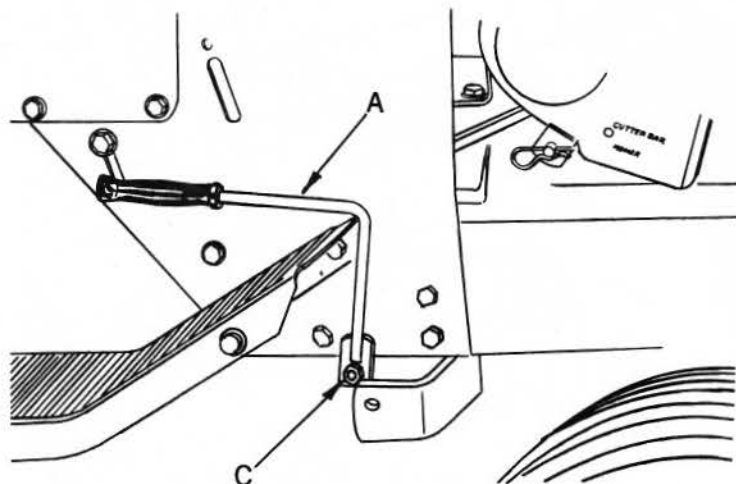


FIG. 9

1. CAUTION: First move lever (A), to "OUT" position, then remove nut (C), and lever (A).

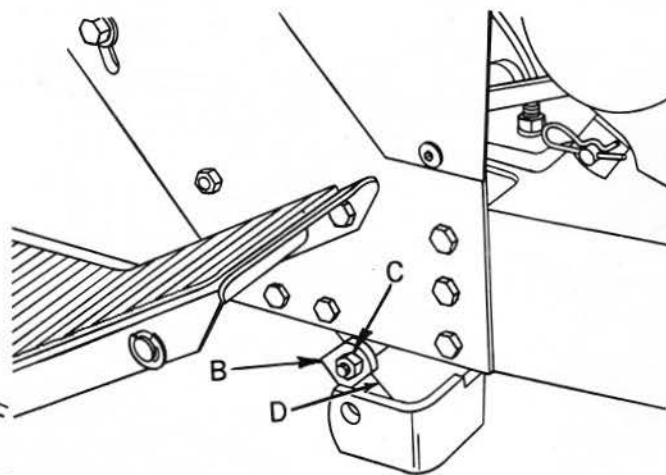


FIG. 10

2. Position clutch lever lock (B), so that tab on clutch lever lock makes contact with bottom edge of hanger weldment (D). Secure with nut (C), removed in step 1. The clutch lever lock (B), will hold the safety mechanism in the "OUT" position.
3. Save lever (A, Fig. 9), for use with mower.

operating (cont.)

how to angle blade

To angle the DOZER BLADE, push lock rod (B, Fig. 8), forward with foot to release the latch and push or pull blade rod (Z, Fig. 8), to desired blade position. Remove foot from lock rod to lock blade. There are seven blade positions: Straight ahead, three distinct angles to the right and three to the left.

blade shoes

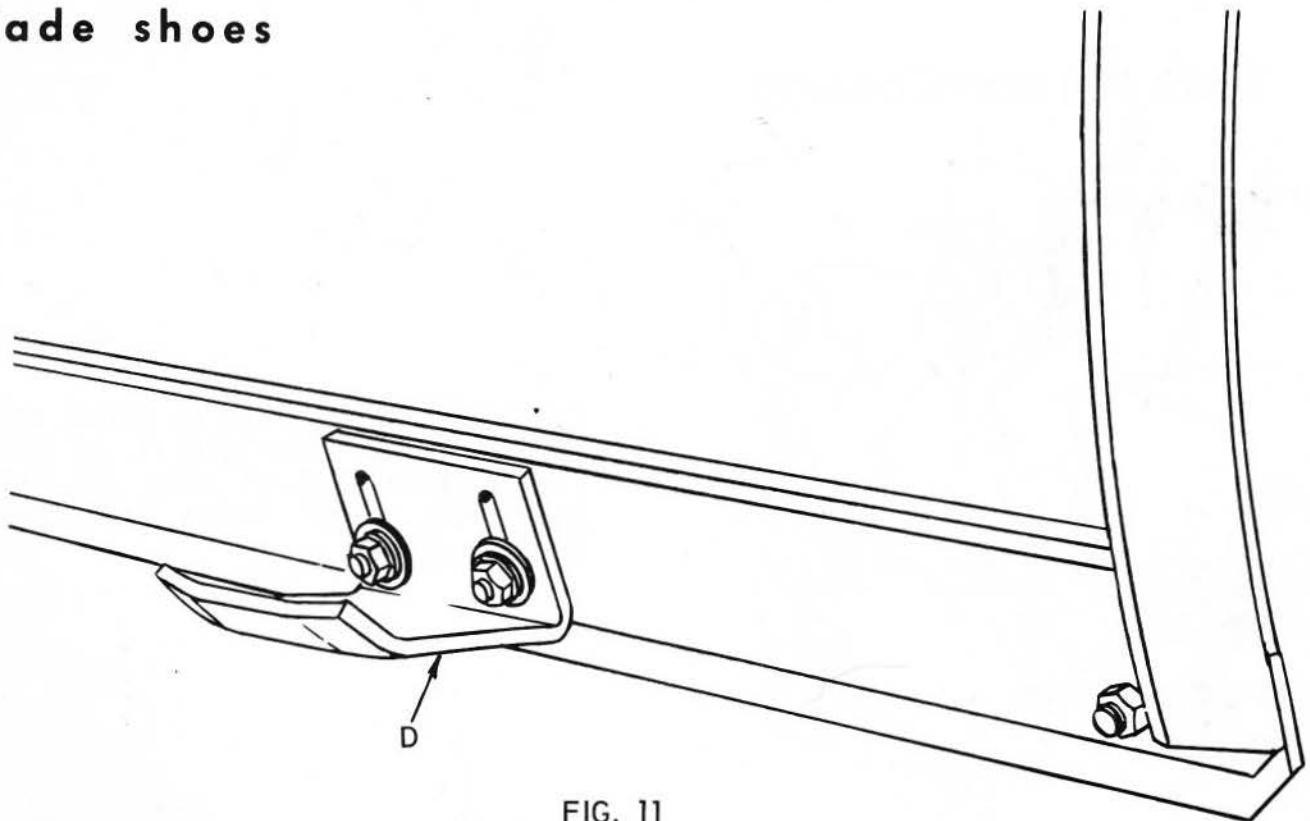


FIG. 11

The blade shoes (D), are adjustable for raising or lowering the blade edge. When moving material on rough or uneven surfaces, lower blade shoes thus raising the blade edge. After adjustment, always tighten nuts securely.

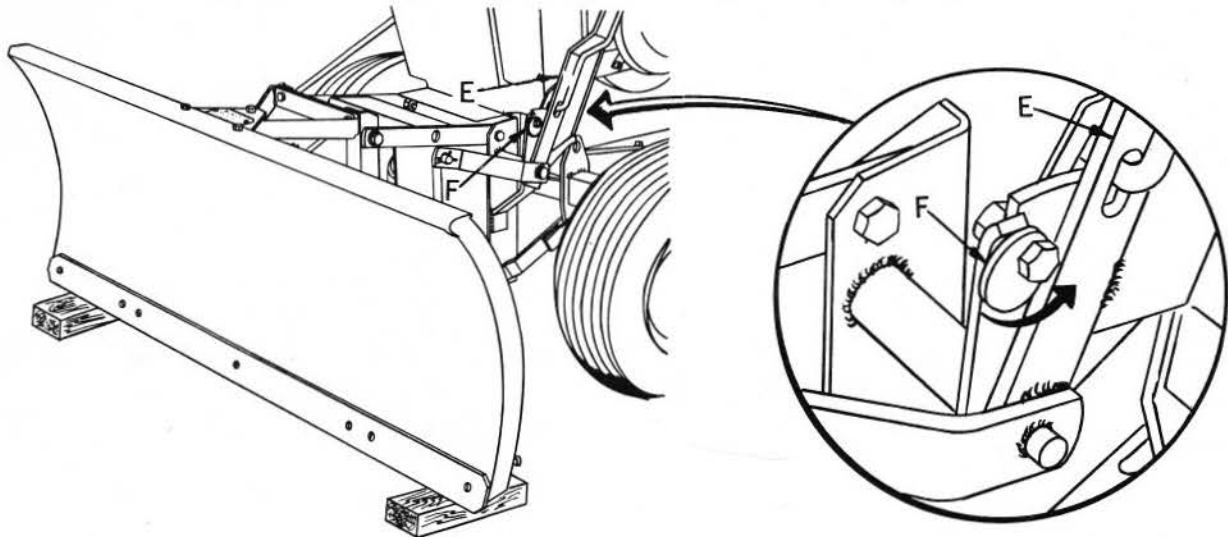


FIG. 12

additional blade clearance

For additional blade clearance, such as; snow removal on uneven sidewalks, crushed rock driveways, etc., raise the lift lever (E), and place a 2x4 or some similar object flatwise beneath each end of blade as shown. Loosen nut on hex bolt in lever stop (F). Rotate lever stop so that widest part of lever stop is toward lift lever (E). Tighten nut securely. Lower blade heights, to suit your needs, can be obtained by rotating the lever stop.

maintenance

During the operating season, check all bolts and nuts and keep them tight. For better performance, when removing snow, it is recommended to coat the blade with some type of auto wax. This will permit snow to slide off blade easier. When DOZER BLADE is not being used, the blade should be coated with grease or rust preventative. Oil latch assembly and arch frequently to aid in swiveling. Also, oil pivot points of frame. This units life expectancy is practically indefinite if handled properly and blade edge changed as needed.

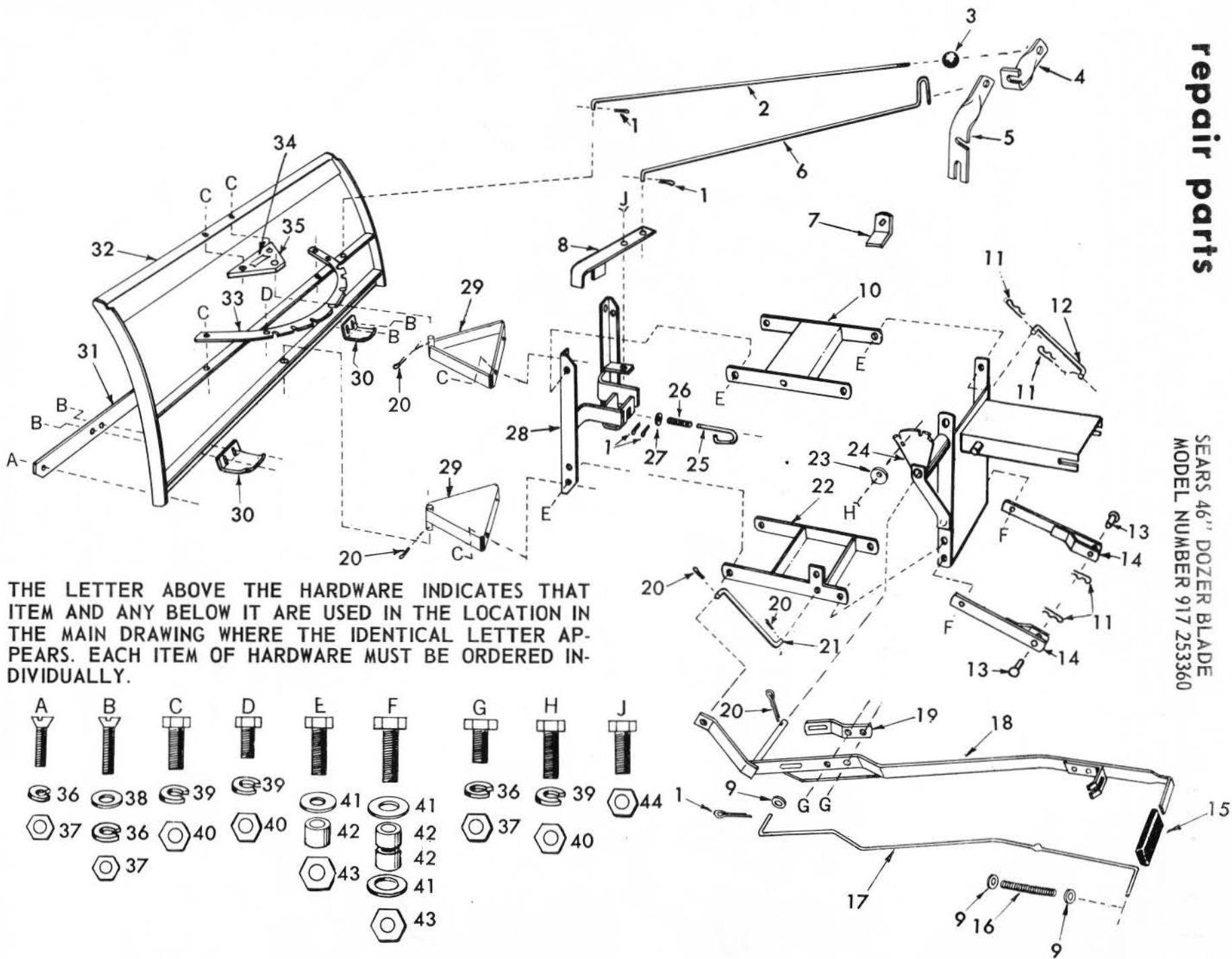
WATCH FOR HIDDEN OBJECTS



CAUTION: EASE INTO THE MATERIAL TO BE MOVED. DO NOT RAM INTO IT. BE ALERT FOR HIDDEN OBJECTS SUCH AS; WATER SHUT-OFFS, TREE ROOTS AND STUMPS, ETC.

Sears, Roebuck and Co. or Simpsons-Sears Limited in Canada reserves the right to make any changes in design or improvements without imposing any obligation to install the same upon its items heretofore manufactured.

notes



THE LETTER ABOVE THE HARDWARE INDICATES THAT ITEM AND ANY BELOW IT ARE USED IN THE LOCATION IN THE MAIN DRAWING WHERE THE IDENTICAL LETTER APPEARS. EACH ITEM OF HARDWARE MUST BE ORDERED INDIVIDUALLY.

- | | | | | | | | | |
|--|--|--|--|--|--|--|--|--|
| | | | | | | | | |
| | | | | | | | | |
| | | | | | | | | |
| | | | | | | | | |
| | | | | | | | | |
| | | | | | | | | |

KEY NO.	PART NO.	DESCRIPTION	KEY NO.	PART NO.	DESCRIPTION
1	2505P	*Cotter Pin 1/8 x 3/4	26	7962H	Spring
2	5063R	Blade Rod	27	1517P	Washer 7/16 x 1 x 14 Ga.
3	6364H	Control Knob	28	606A97B	Front Frame
4	2010R	Rod Bracket	29	626A262	Fork
5	2009R	Lock Rod Bracket	30	9026M	Blade Shoe
6	2008R	Lock Rod	31	918R	Blade Edge
7	2708R	Clutch Lever Lock	32	634A438	Blade
8	634A143	Pivot Arm Weldment	33	8884H	Arch
9	1513P	Washer 13/32 x 13/16 x 16 Ga.	34	4596R	Model Number Plate
10	634A142	Upper Frame	35	1411H	Upper Pivot Gusset
11	4940M	*Retainer Spring	36	1002P	Lockwasher 1/4
12	1401H	Push Rod	37	503P	Hex Nut 1/4-20
13	6978A	*Drilled B.H. Rivet	38	1506P	Washer 9/32 x 5/8 x 16 Ga.
14	634A264	Push Strap Assembly	39	1004P	*Lockwasher 3/8
15	8206H	Handle Grip	40	501P	*Hex Nut 3/8-16
16	1539U1	Spring	41	1544P	*Washer 15/32 x 59/64 x 16 Ga.
17	3997R	Lever Plunger	42	5222H	*Bushing
18	634A599	Lever and Arm	43	7762H	*Lock Nut 7/16-14
19	3998R	Lever Clip Lower	44	552P	Crown Lock Nut 3/8-16 UNC
20	2510P	*Cotter Pin 5/32 x 1			Heat Treated
21	1399H	Lift Rod	A	3064P	Flat Hd. Mach. Screw 1/4-20 x 3/4
22	634A205	Lower Frame	B	3130P	Flat Hd. Mach. Screw 1/4-20 x 1
23	2409R	*Lever Stop	C	3023P	Hex Bolt 3/8-16 x 1
24	634A445A	Rear Frame Assembly	D	3021P	Hex Bolt 3/8-16 x 3/4
25	6090M	Latch	E	3035P	*Hex Bolt 7/16-14 x 1 1/4
			F	3037P	Hex Bolt 7/16-14 x 1 3/4
			G	3003P	Hex Bolt 1/4-20 x 3/4
			H	3137P	*Hex Bolt 3/8-16 x 1 1/4
					Heat Treated
			J	3023P	Hex Bolt 3/8-16 x 1
			---	4598R	Owners Manual

* Indicates all items shipped in bag of parts with new Bulldozer-Snowplow.

Sears

owners manual

The Model Number will be found on a plate attached to the Upper Pivot Gusset at top and center of blade. Always mention the Model Number when requesting service or repair parts for your Dozer Blade.

All parts listed herein may be ordered through SEARS, ROEBUCK AND CO. or SIMPSONS-SEARS LIMITED. When ordering parts by mail, selling prices will be furnished on request or parts will be shipped at prevailing prices and you will be billed accordingly.

WHEN ORDERING REPAIR PARTS, ALWAYS GIVE THE FOLLOWING INFORMATION AS SHOWN IN THIS LIST.

1. The PART NUMBER
2. The PART DESCRIPTION
3. The MODEL NUMBER
917.253360
4. The NAME OF ITEM—
Dozer Blade



When you buy merchandise from Sears you get an extra something that nobody else can offer . . . Sears Service.

Across town or across the country, wherever you live or move in the U.S.A., Sears Service follows you, providing trustworthy, competent service technicians using only Sears specified factory parts.

**SEARS SERVICE
IS AT YOUR SERVICE
WHEREVER YOU LIVE
OR MOVE
IN THE U.S.A.**

**Sears, Roebuck and Co., Chicago, Ill. 60607 U.S.A.
and Simpsons Sears Limited, Toronto**